

Artikel nr  
11 55 00

# Laddomat®

## Double check valve

Prevents self-circulation

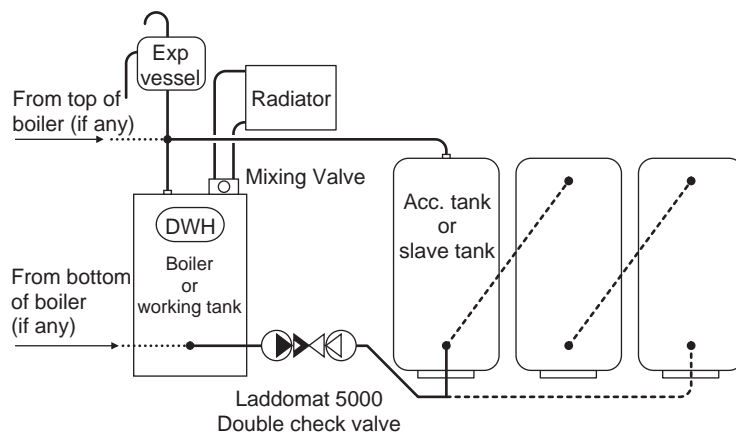


### Function

Prevents accidental self-circulation when connecting charging circuits between boilers and tanks, or between working tanks and slave tanks.

The valve has two spring-loaded balls which close off the flow in the pipe when the pumps are not operating.

The flow is different in each flow direction – higher when charging the tank to transfer the output from the boiler, and lower when discharging the tank to optimise layering.



### Technical data

Connections:	R40 internal thread in running nuts, for direct connection to pump	
Installation length:	53 mm	
Area of use:	Heating systems	
Material:	Valve housing	Brass SS 5170
	Thread gauge	Brass SS 5170
	Valve case	Glass fibre reinforced nylon 6.6
	Springs	Stainless steel SS 2331-06
	O-ring	EPDM rubber
	Flat gasket	Silicone rubber

### Flow:

Charging Kvs	5 m <sup>3</sup> /hr
Discharging Kvs	1.5 m <sup>3</sup> /hr

DBV-5000\_E.PMD  
815013 F 6  
030403

[www.termoventiler.se](http://www.termoventiler.se)

## Termoventiler AB

SE-523 93 MARBÄCK, SWEDEN Phone +46-(0)321-261 80, Fax +46-(0)321-261 89

